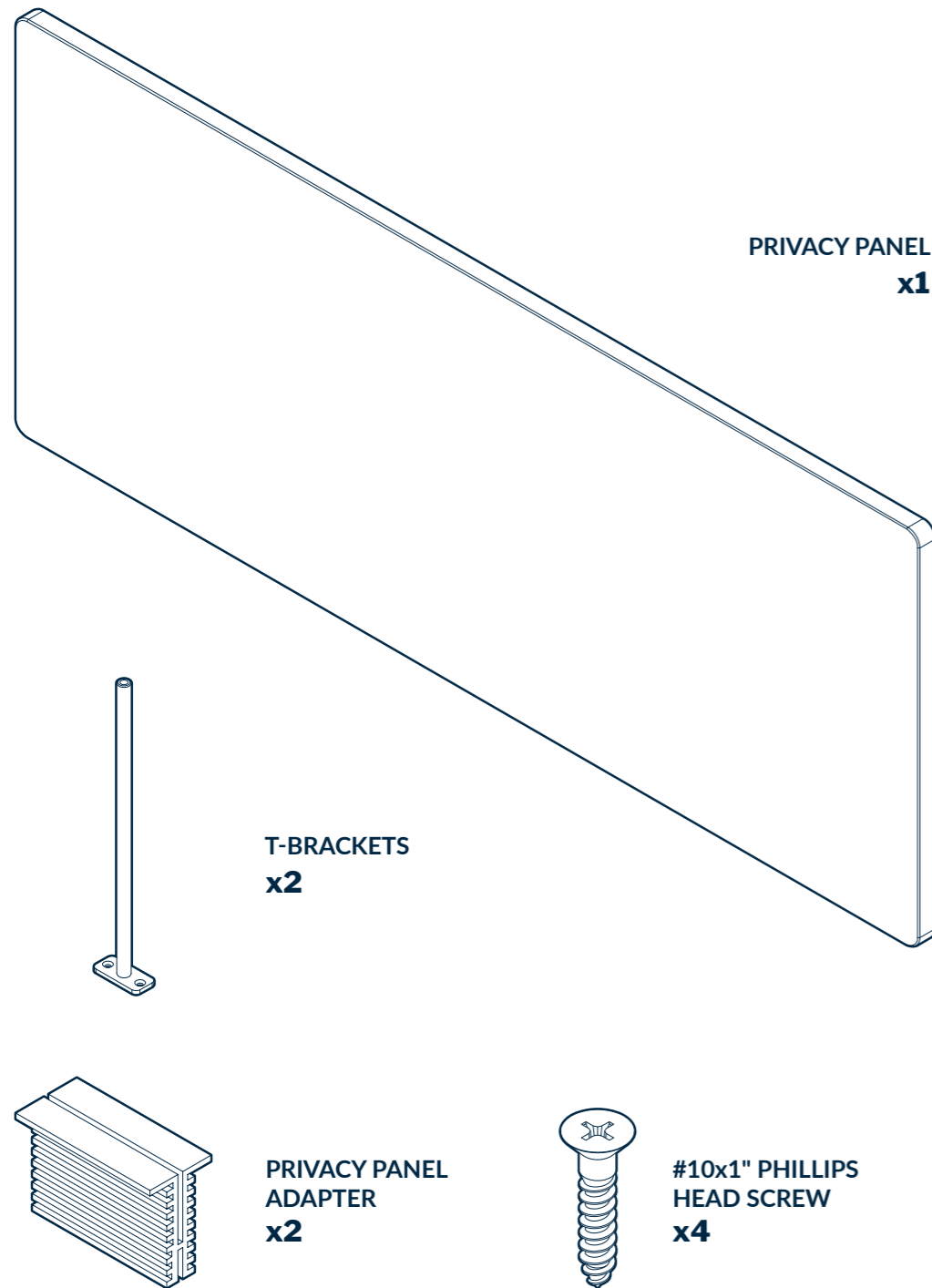


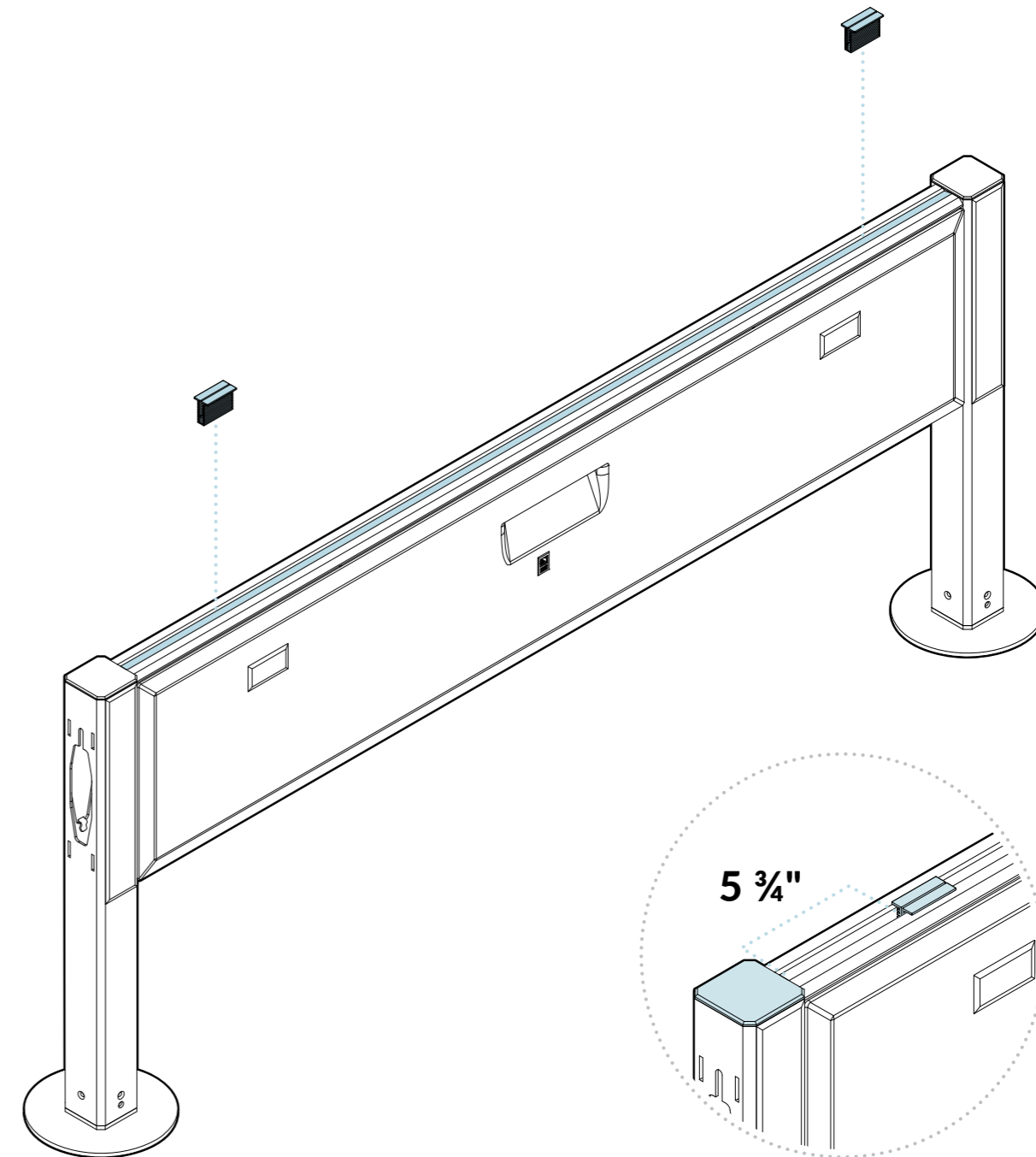
Beam Privacy Panel



vari®



1

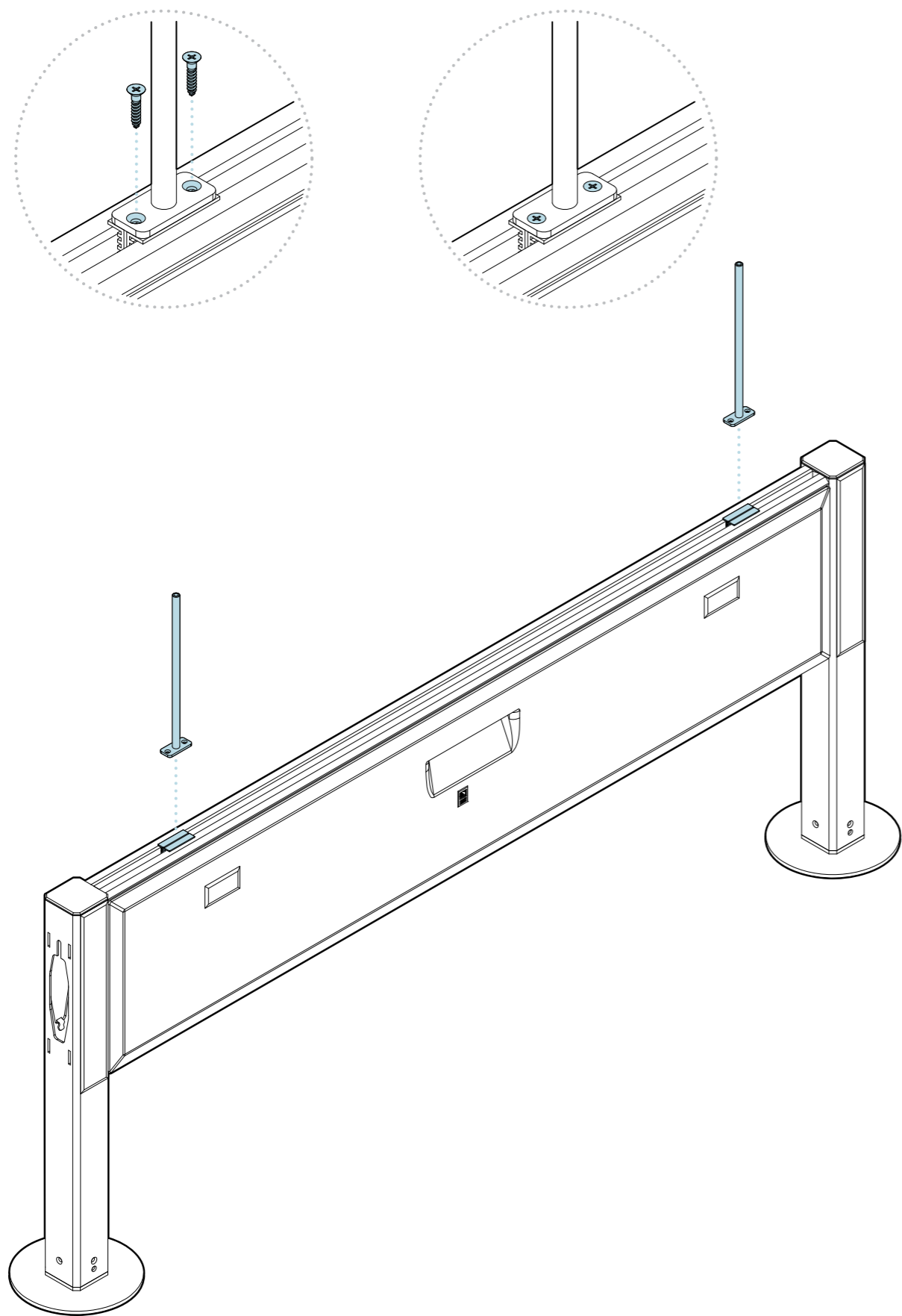


Tools Needed (Not Included)

- PHILLIPS HEAD SCREWDRIVER
- TAPE MEASURE

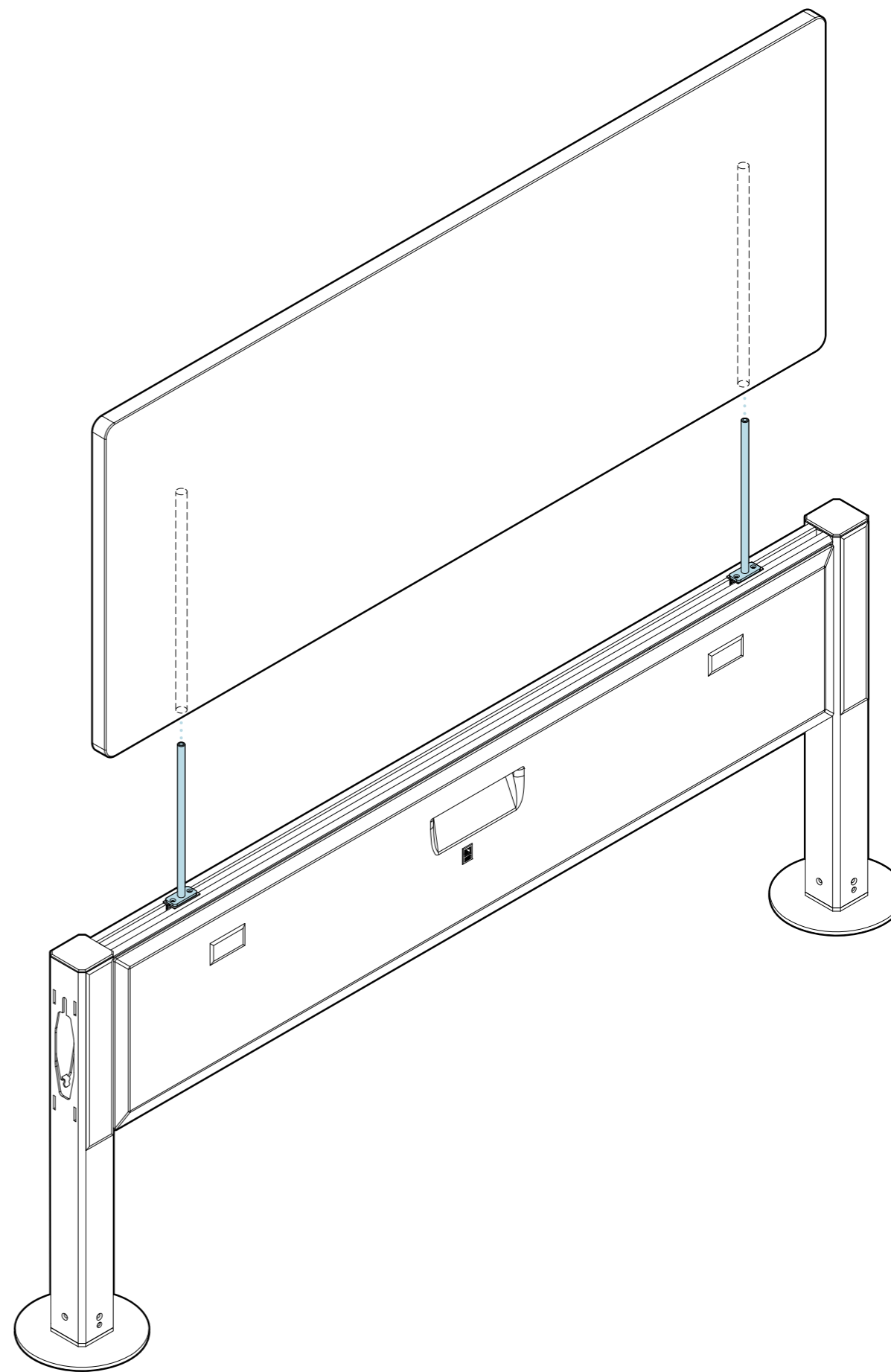
Lower the privacy panel adapters into the top center channel of the Beam. To ensure the adapters are placed properly for the panel, use a tape measure to confirm that the gap between the leg and the adapter is 5 3/4".

2



Align one T-bracket with a privacy panel adapter and lower in place. Using a Phillips head screwdriver and 2 of the provided screws, attach the bracket to the adapter. Repeat with the second T-bracket, adapter, and remaining screws. **NOTE: Ensure the T-brackets are vertical and perpendicular to the Beam. If they are not, loosen the screws and adjust as needed.**

3



Position the panel with the predrilled holes facing down and aligned with the t-brackets, then lower the panel onto the t-brackets.